

## True RMS Signal Isolator – Model A30

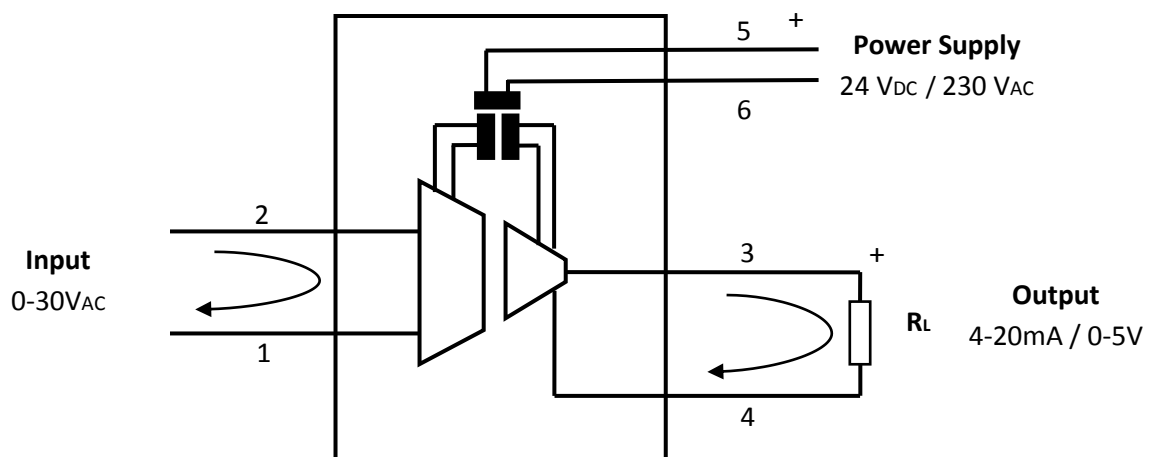
### Features

- True RMS Input readability
- Large frequency range 20Hz to 12KHz
- Sinusoidal, Chopped, Triangular and other AC waveforms as Input
- Galvanic Isolation of 1000 V/ 1 min
- Output Load 600  $\Omega$
- Accuracy of 0.1% of Span
- Especially suited for AC / DC drives



Kemptronix has designed a True RMS signal isolator with galvanic isolation. The RMS transmitter can be powered by either 24Vdc or 230 Vac. It is specially suited to Isolate AC inputs which do not have sinusoidal waveforms like that from industrial AC/DC drives. A30 provides the user with three way isolation, i.e. I/P, O/P and Supply are isolated from each other. Input and Output can be set as per user requirement, for Input it can be configured to 0-5V<sub>AC</sub>, 0-30V<sub>AC</sub> or 0-300V<sub>AC</sub> and O/P can be configured to 4-20mA or 0-5V<sub>DC</sub>.

Output load is 600 $\Omega$  for Current configuration. Input voltage drop is independent of Input signal that enables connection of several devices to same input loop. The device is protected internally against reverse polarity connections. Converter is delivered calibrated to 0.1 % accuracy of full scale. Front cover has zero and span potentiometers for recalibration, if required. The damping of standard A30 is 2 sec.



Marketed by:



Alpha Control Instruments (P) Ltd.  
G-39, UPSIDC, Deva Road, Chinhat, Lucknow-226019

[www.alphacontrol.in](http://www.alphacontrol.in)  
[enquiry@alphacontrol.in](mailto:enquiry@alphacontrol.in)

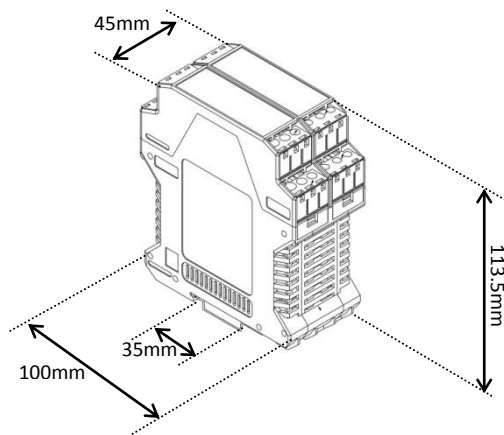
## Technical specification:

<b>Input</b>	0-5V <sub>AC</sub> / 0-30V <sub>AC</sub> / 0-300V <sub>AC</sub>
<b>Output</b>	4-20mA / 0-5V <sub>DC</sub>
<b>Accuracy</b>	< 0.1% FS
<b>Repeatability</b>	< 0.03 % FS
<b>Temperature Drift</b>	0.01% /°C
<b>Input AC Waveform</b>	Sinusoidal, Triangular, Chopped, Rectangular
<b>Power Supply</b>	230V <sub>AC</sub> / 18 - 30 V <sub>DC</sub>
<b>Output load</b>	600 Ω
<b>Isolation voltage</b>	<=1000 V / 1 min
<b>Damping</b>	2s
<b>Frequency range</b>	20Hz to 12KHz
<b>Ambient temperature</b>	-10 to 60°C
<b>Case dimensions</b>	45 x 100 x 113.5 (mm)
<b>Installation</b>	DIN-rail

## Ordering Code:

### Model

		<b>A30-A-0-1 - A</b>		
Supply	A (230V <sub>AC</sub> ) D (24V <sub>DC</sub> )			<i>Frequency Range (Optional)</i> A 20Hz - 100Hz B 101Hz - 1KHz C 1.01KHz - 12KHz
I/P	0 (0-5 V <sub>AC</sub> ) 1 (0-30V <sub>AC</sub> ) 2 (0-300V <sub>AC</sub> )			
O/P	0 (4-20mA) 1 (0-5V <sub>DC</sub> )			



Marketed by:



Alpha Control Instruments (P) Ltd.  
G-39, UPSIDC, Deva Road, Chinhat, Lucknow-226019

www.alphacontrol.in  
enquiry@alphacontrol.in